

CANDIDATE  
NAME

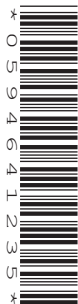
--

CENTRE  
NUMBER

--	--	--	--	--

CANDIDATE  
NUMBER

--	--	--	--



**PHYSICS**

**5054/21**

Paper 2 Theory

**October/November 2019**

**1 hour 45 minutes**

Candidates answer on the Question Paper.

No Additional Materials are required.

**READ THESE INSTRUCTIONS FIRST**

Write your centre number, candidate number and name on all the work you hand in.

Write in dark blue or black pen.

You may use an HB pencil for any diagrams or graphs.

Do not use staples, paper clips, glue or correction fluid.

DO **NOT** WRITE IN ANY BARCODES.

**Section A**

Answer **all** questions.

Write your answers in the spaces provided on the Question Paper.

**Section B**

Answer any **two** questions.

Write your answers in the spaces provided on the Question Paper.

Electronic calculators may be used.

You may lose marks if you do not show your working or if you do not use appropriate units.

At the end of the examination, fasten all your work securely together.

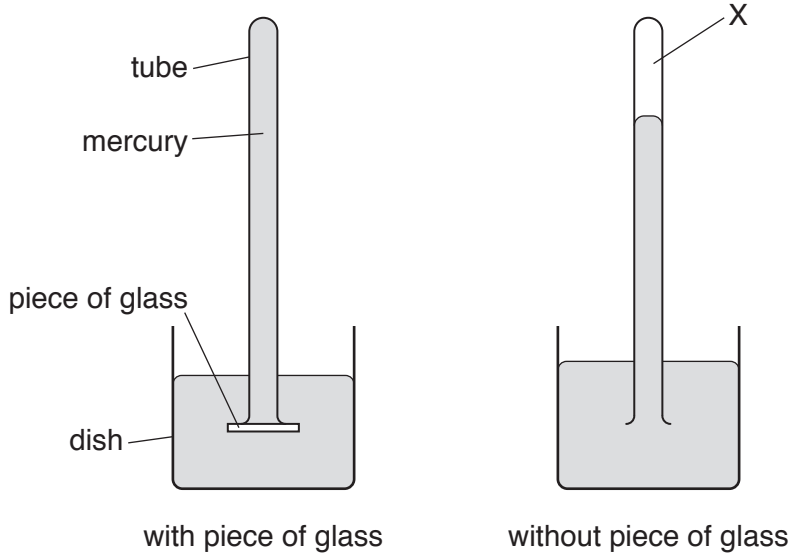
The number of marks is given in brackets [ ] at the end of each question or part question.

This document consists of **15** printed pages and **1** blank page.

**Section A**

Answer **all** the questions in this section. Answer in the spaces provided.

- 1 Fig. 1.1 shows a tube full of mercury placed upside down in a dish of mercury. Initially a small piece of glass closes the open end of the tube.



**Fig. 1.1**

**Fig. 1.2**

- (a) The piece of glass is removed and the level of mercury in the inverted tube falls, as shown in Fig. 1.2.

- (i) Explain why the level of mercury in the tube falls.

.....  
 .....  
 .....  
 ..... [2]

- (ii) State what is found at point X in Fig. 1.2.

..... [1]

- (b) Describe how the tube of mercury in Fig. 1.2 is used to determine a value for the atmospheric pressure in pascals (Pa). You may draw on Fig. 1.2 if you wish.

.....  
 .....  
 .....  
 ..... [3]

[Total: 6]

2 A small coin of mass  $m$  is initially at rest. It is dropped from a height  $h$  above ground level. The coin has a speed  $v$  as it hits the ground.

The gravitational field strength  $g$  is equal to  $10\text{ N/kg}$ .

(a) State an expression for:

- the gravitational potential energy of the coin at a height  $h$  above ground level  
gravitational potential energy = .....

- the kinetic energy of the coin when travelling at a speed  $v$ .  
kinetic energy = .....

[1]

(b) The coin is dropped from the top of a building of height  $380\text{ m}$ .

Determine the speed of the coin as it hits the ground. You may ignore air resistance.

speed = ..... [3]

(c) When air resistance is negligible, a heavier coin hits the ground at the same speed as a lighter coin when they are both dropped from the same height.

(i) Explain why.

.....  
.....  
..... [1]

(ii) When air resistance acts, coins of different masses do **not** hit the ground at the same speed when they are dropped from the same height.

Explain why.

.....  
.....  
..... [2]

[Total: 7]

3 A saucepan of water is placed on an electric hotplate and the water is brought to the boil.

As the water boils, it changes from a liquid into a gas.

(a) Describe, in terms of the molecules, **three** ways in which a gas differs from a liquid.

- 1. ....  
.....
- 2. ....  
.....
- 3. ....  
.....

[3]

(b) In order to keep the liquid boiling, it is necessary to keep the hotplate switched on.

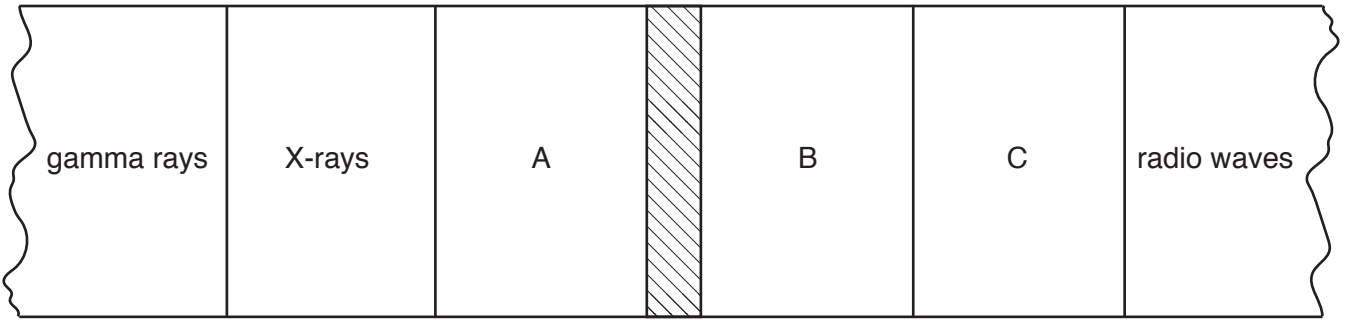
Explain why energy must be supplied in order to turn a liquid at its boiling point into a gas.

.....  
.....  
.....  
.....

[2]

[Total: 5]

4 Fig. 4.1 represents the electromagnetic spectrum.



**Fig. 4.1**

The shaded region in the middle is the visible light spectrum.

(a) State the name of the component labelled:

- A .....
  - B .....
  - C .....
- [2]

(b) State the name of the component of the electromagnetic spectrum that has:

- the greatest frequency .....
  - the smallest wavelength .....
- [1]

(c) Explain how X-rays are used to produce an image of a broken bone in a patient's leg.

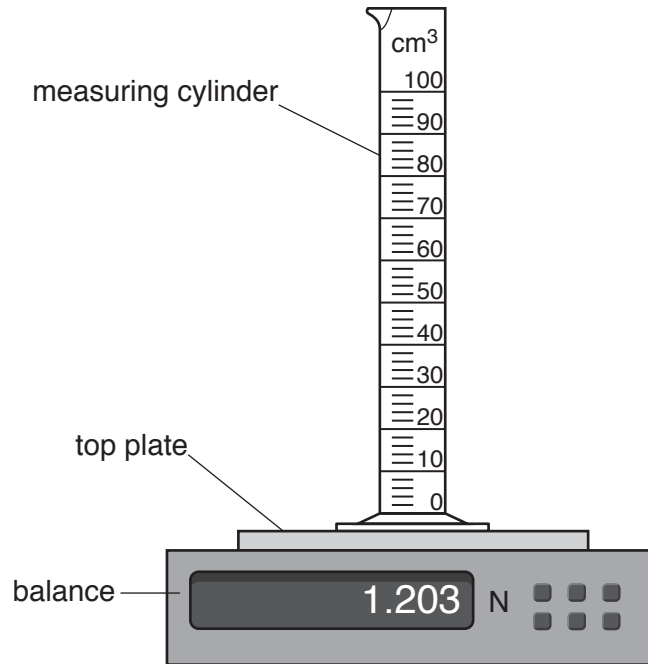
.....  
 .....  
 .....  
 .....  
 .....

[3]

[Total: 6]

- 5 An electronic balance is calibrated to display the weight of an object that is placed on its top plate.

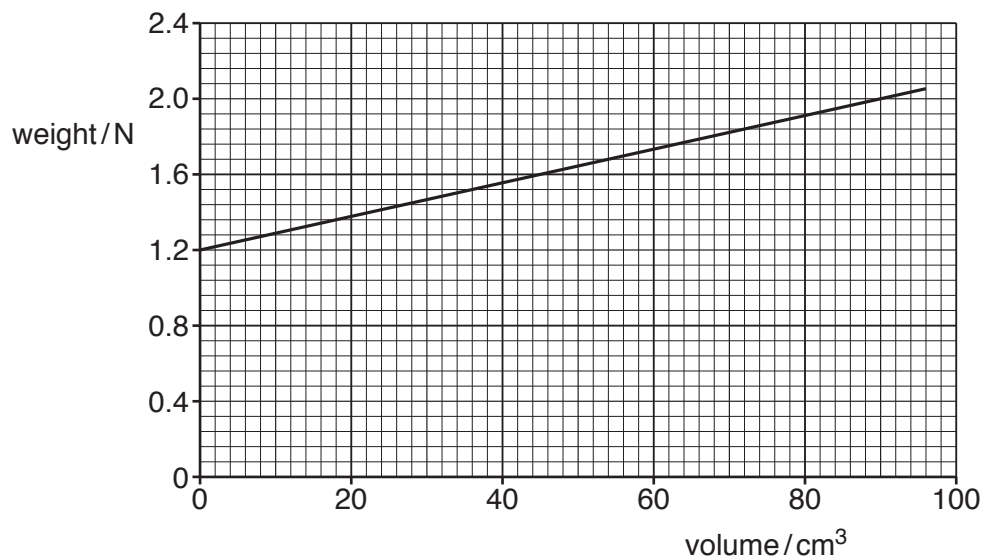
Fig. 5.1 shows the balance with an empty measuring cylinder on the top plate.



**Fig. 5.1**

A student pours a small quantity of oil into the measuring cylinder and records the volume and the new reading on the balance.

Fig. 5.2 shows how the reading on the balance varies with the volume of oil in the measuring cylinder.



**Fig. 5.2**

7

The gravitational field strength  $g$  is equal to 10 N/kg.

Using Fig. 5.2, determine the density of the oil.

density = ..... [4]

6 A 60 W filament lamp is powered by the 240 V mains electricity supply.

The lamp is switched on.

(a) Calculate:

(i) the current in the lamp

current = ..... [2]

(ii) the resistance of the lamp.

resistance = ..... [2]

(b) The lamp is now unplugged from the mains supply and connected in series with two 1.5 V cells. Fig. 6.1 is the circuit diagram.

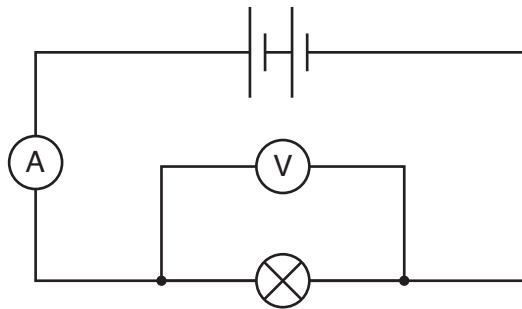


Fig. 6.1

(i) State the reading on the voltmeter.

reading = ..... [1]

(ii) State and explain how the resistance of the lamp now differs from the value calculated in (a)(ii).

.....  
 .....  
 ..... [2]

(iii) When a filament lamp blows, it very often does so immediately after being switched on. Suggest why this is the case.

.....  
 ..... [1]

[Total: 8]



7 Table 7.1 shows the composition of four neutral atoms and one atom that has been ionised.

These five particles are labelled P, Q, R, S and T.

**Table 7.1**

	P	Q	R	S	T
number of electrons	17	18	18	19	20
number of neutrons	20	20	24	23	21
number of protons	17	19	18	19	20

(a) The charge on an electron is  $-1.6 \times 10^{-19} \text{C}$ .

(i) State which of P, Q, R, S and T is the ionised atom.

..... [1]

(ii) State the size and the sign of the charge on the ionised atom.

charge = ..... [1]

(b) State which pair from P, Q, R, S and T are isotopes of the same element.

..... [1]

(c) One of the atoms is a radioactive isotope that decays to produce one of the other atoms.

(i) Deduce which atom decays in this way.

..... [1]

(ii) Deduce which atom is the product of this decay.

..... [1]

(iii) Deduce which type of radioactive decay occurs.

..... [1]

(iv) The half-life for this radioactive decay is 33 years.

A radioactive sample contains a large number of the atoms that decay in this way.

Determine the fraction of this number of atoms that will decay in 99 years.

fraction that decays = ..... [3]

[Total: 9]

**Section B**

Answer **two** questions from this section. Answer in the spaces provided.

- 8 (a) A small electric component in a circuit needs to be protected from a strong, external magnetic field.

Describe how this is done and state any material used.

.....  
.....  
..... [2]

- (b) Electromagnets have many domestic and industrial applications.

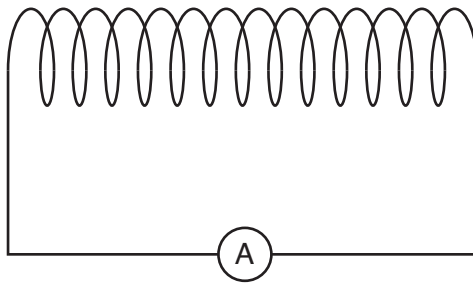
(i) In the space, draw a diagram of a simple electromagnet.

[3]

(ii) State and describe in detail one use of an electromagnet.

.....  
.....  
.....  
.....  
..... [3]

(c) Fig. 8.2 shows a solenoid connected to a sensitive ammeter.



**Fig. 8.2**

Explain what is observed on the ammeter when a student:

(i) inserts an N-pole of a bar magnet slowly into the right-hand end of the solenoid

.....  
 .....  
 .....  
 ..... [3]

(ii) holds the bar magnet stationary in the solenoid

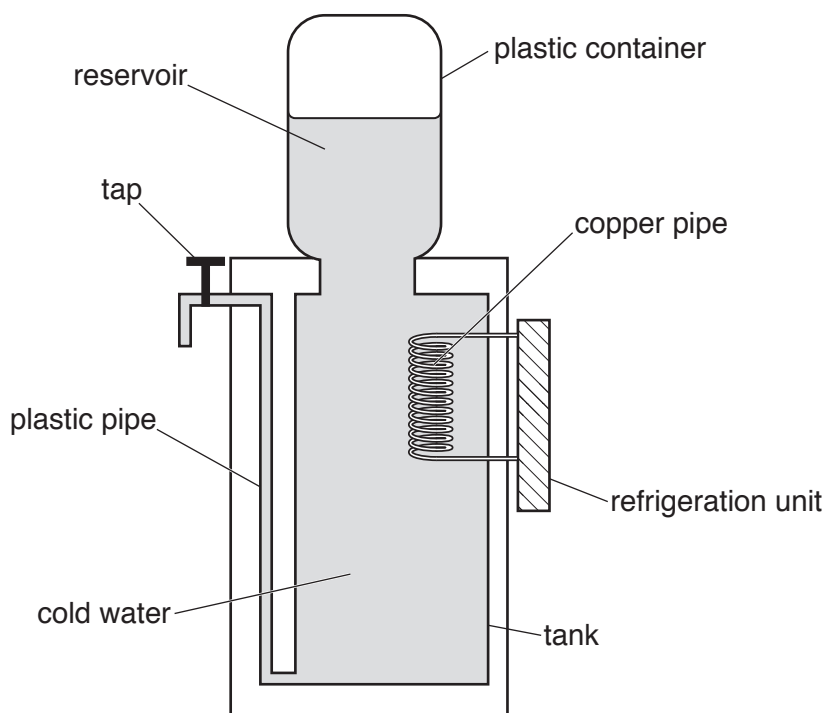
.....  
 .....  
 ..... [1]

(iii) withdraws the N-pole of the magnet **quickly** from the right-hand end of the solenoid.

.....  
 .....  
 .....  
 ..... [3]

[Total: 15]

- 9 Fig. 9.1 shows the structure of a water cooler that is used to supply cold water to the workers in a hot office.



**Fig 9.1**

- (a) The reservoir of water in the plastic container is at room temperature. It does not mix with the cold water in the tank below.

Explain why.

.....

.....

..... [2]

- (b) When the tap is opened, water at room temperature from the reservoir flows down into the tank. Cold water from the tank flows through the plastic pipe and out of the tap.

Cold liquid from the refrigeration unit is pumped through the copper pipe and thermal energy passes through the copper to this liquid.

- (i) Suggest why this pipe is made from copper.

.....

..... [1]

(ii) Explain, in terms of free electrons, how thermal energy is transferred through the copper.

.....  
.....  
.....  
..... [3]

(iii) As the water near the copper pipe cools, it begins to mix with the rest of the water in the tank.

Explain how this happens.

.....  
.....  
.....  
..... [3]

(c) The tap is opened and water at 21 °C flows from the reservoir into the tank.

The specific heat capacity of water is 4200 J/(kg °C).

Calculate the thermal energy that is removed from 250 g of this water to reduce its temperature to 7 °C.

energy = ..... [3]

(d) (i) Describe the motion of the molecules in a liquid which is at a uniform temperature throughout.

.....  
.....  
..... [2]

(ii) State what happens to the motion of the molecules in a liquid as the temperature of the liquid decreases.

.....  
..... [1]

10 Visible light is one component of the electromagnetic spectrum.

(a) State the speed of light in a vacuum.

..... [1]

(b) State the colours of the visible spectrum.

..... [1]

(c) An object O of height 3.0 cm is placed 4.0 cm from the centre of a diverging lens.

Fig. 10.1 shows the object O, the diverging lens and the two focal points (principal focuses),  $F_1$  and  $F_2$ , of the lens.

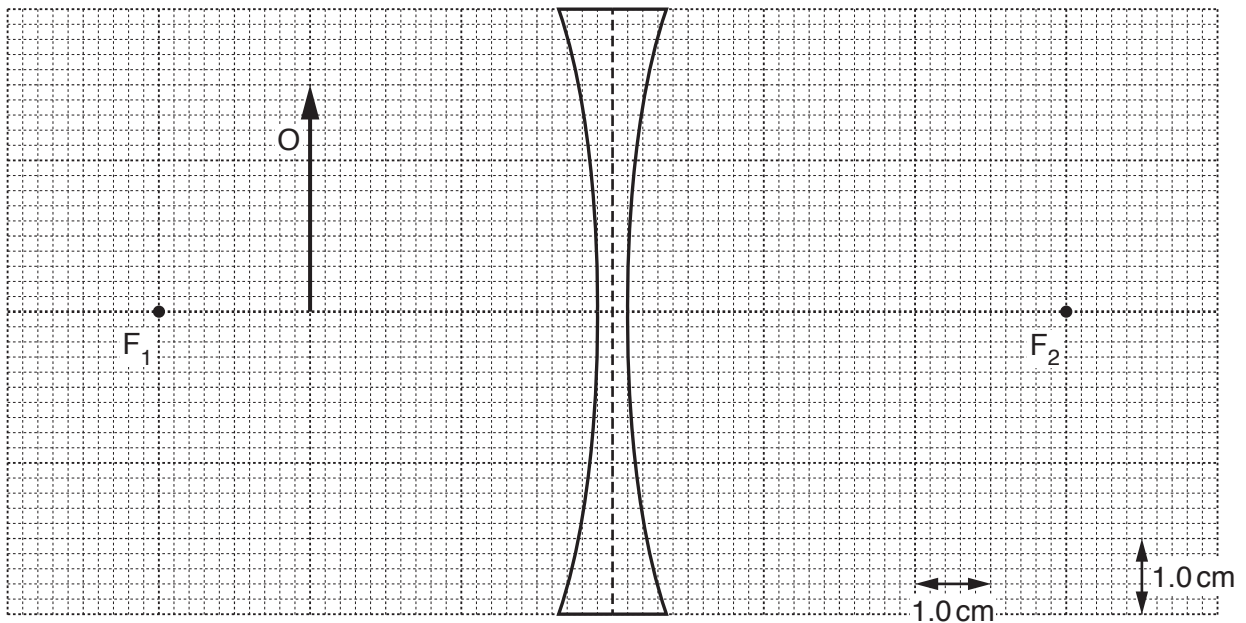


Fig. 10.1

(i) Determine the focal length of this lens.

focal length = ..... [1]

(ii) The diverging lens produces an image of object O.

On Fig. 10.1, by drawing rays from the tip of O, locate this image and label it I. [4]

(iii) Determine the height of the image.

height = ..... [1]

(iv) Determine the magnification of the image.

magnification = ..... [1]

(v) State **two** ways in which a virtual image differs from a real image.

1. ....

.....

2. ....

.....

[2]

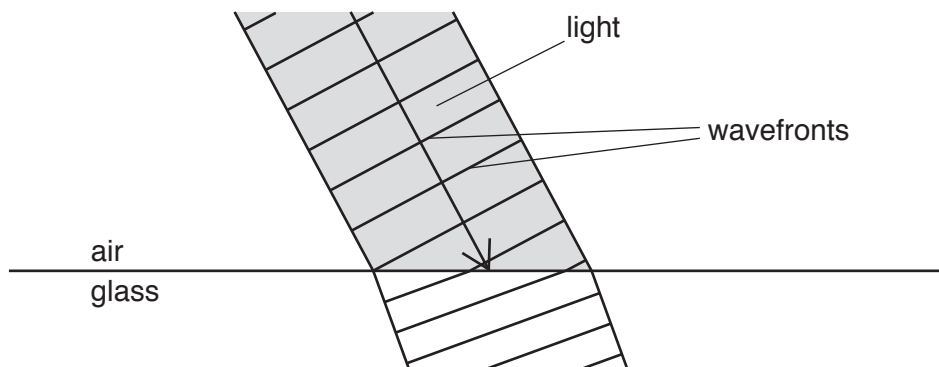
(vi) State one use for a diverging lens.

.....

..... [1]

(d) Light passing from air into glass refracts in a similar way to a water wave passing from deep water into shallow water.

Fig. 10.2 represents light passing from air into glass at an angle to the surface.



**Fig. 10.2**

One side of a wavefront strikes the glass before the other side.

Explain why the wavefronts change direction as the light enters the glass.

.....

.....

.....

..... [3]

[Total: 15]

**BLANK PAGE**

---

Permission to reproduce items where third-party owned material protected by copyright is included has been sought and cleared where possible. Every reasonable effort has been made by the publisher (UCLES) to trace copyright holders, but if any items requiring clearance have unwittingly been included, the publisher will be pleased to make amends at the earliest possible opportunity.

To avoid the issue of disclosure of answer-related information to candidates, all copyright acknowledgements are reproduced online in the Cambridge Assessment International Education Copyright Acknowledgements Booklet. This is produced for each series of examinations and is freely available to download at [www.cambridgeinternational.org](http://www.cambridgeinternational.org) after the live examination series.

Cambridge Assessment International Education is part of the Cambridge Assessment Group. Cambridge Assessment is the brand name of the University of Cambridge Local Examinations Syndicate (UCLES), which itself is a department of the University of Cambridge.