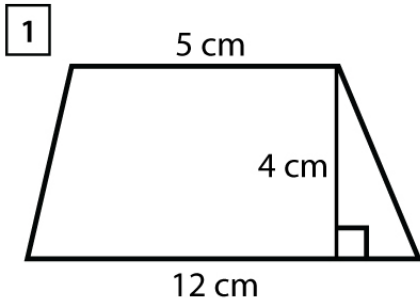


Name : _____

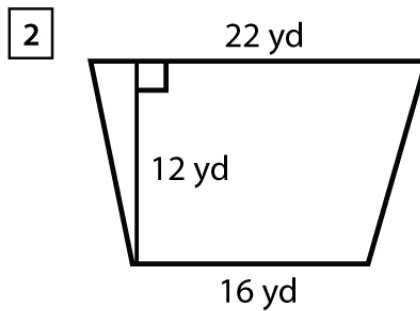
Score : _____ Date : _____

Area of Trapezoid Practice Worksheet

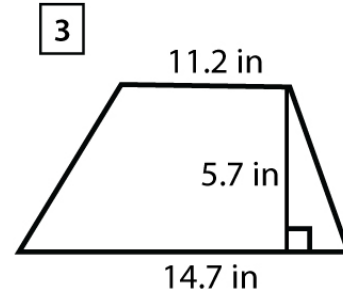
Find the area of the given trapezoid.



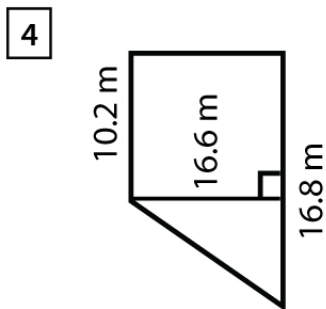
Area = _____



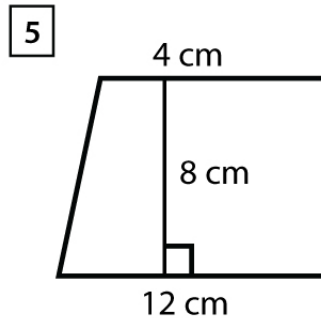
Area = _____



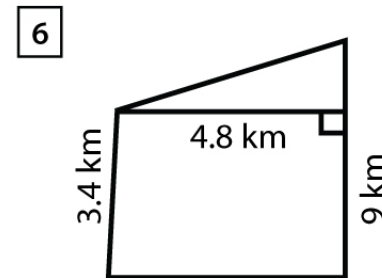
Area = _____



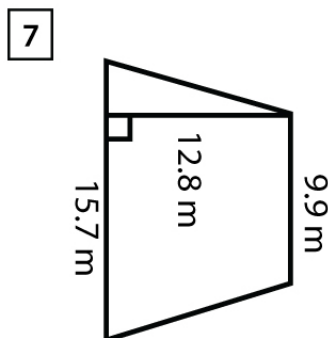
Area = _____



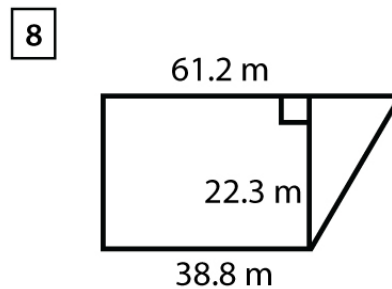
Area = _____



Area = _____



Area = _____



Area = _____