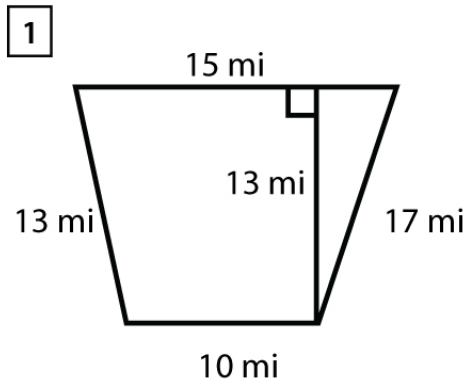


Name : \_\_\_\_\_

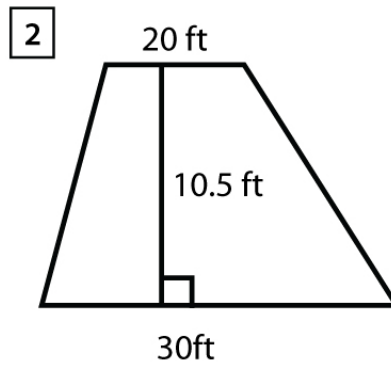
Score : \_\_\_\_\_ Date : \_\_\_\_\_

**Area of Trapezoid Worksheet**

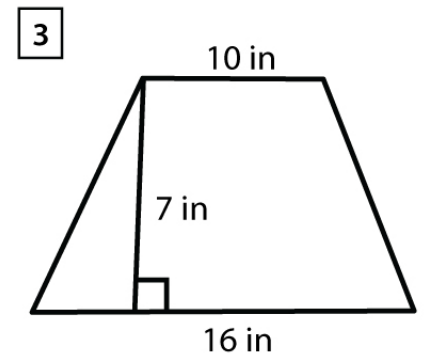
Find the area of each trapezoid.



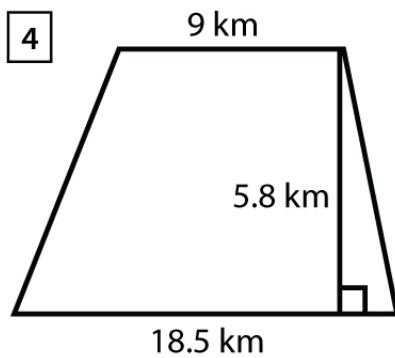
Area = \_\_\_\_\_



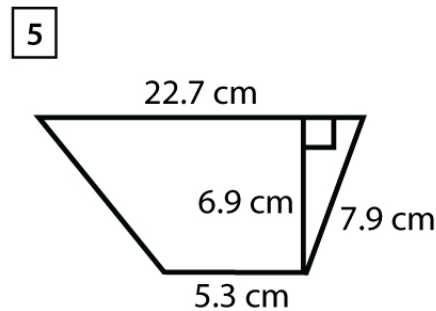
Area = \_\_\_\_\_



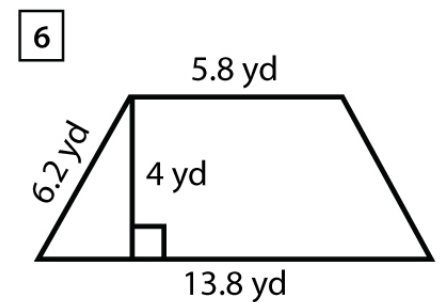
Area = \_\_\_\_\_



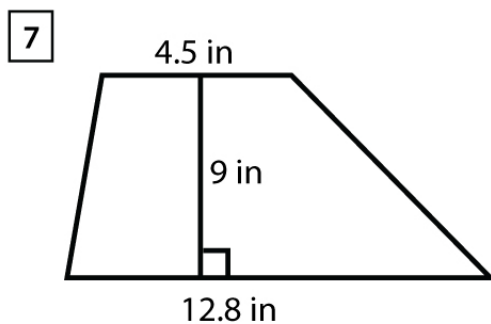
Area = \_\_\_\_\_



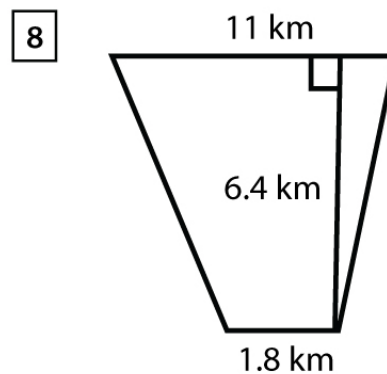
Area = \_\_\_\_\_



Area = \_\_\_\_\_



Area = \_\_\_\_\_



Area = \_\_\_\_\_