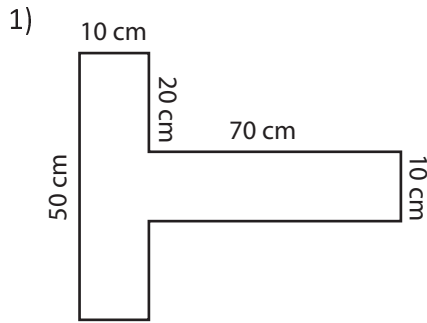
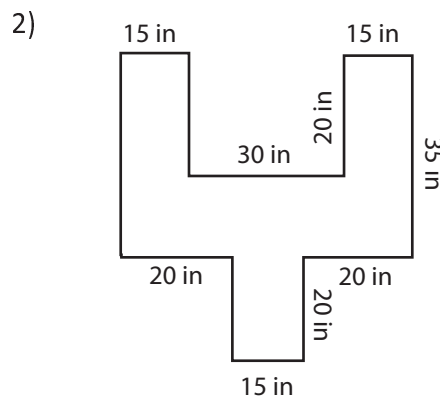


Area and Perimeter of Paths

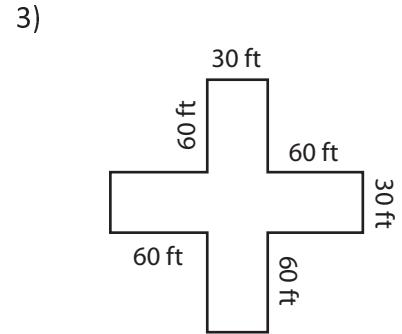
Find the area and perimeter of each shape.



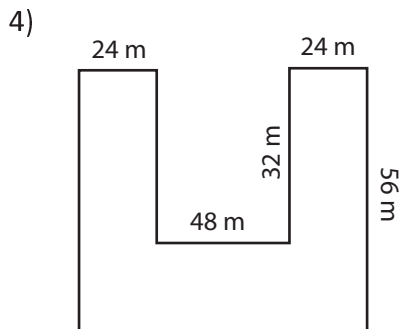
Area: _____
Perimeter: _____



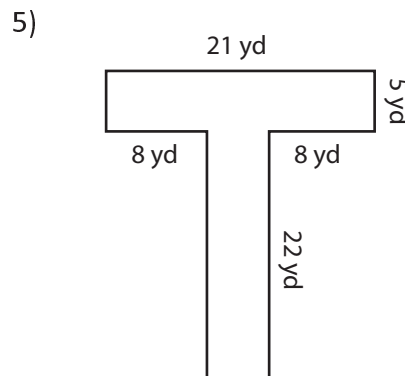
Area: _____
Perimeter: _____



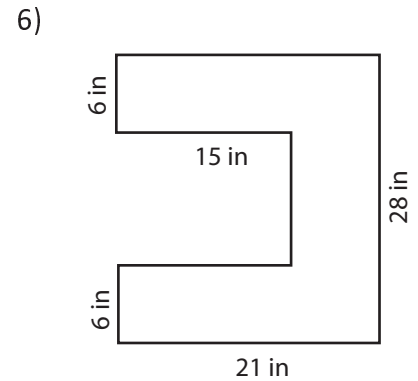
Area: _____
Perimeter: _____



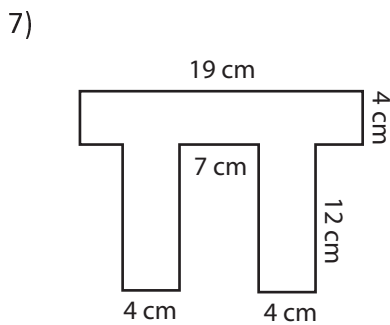
Area: _____
Perimeter: _____



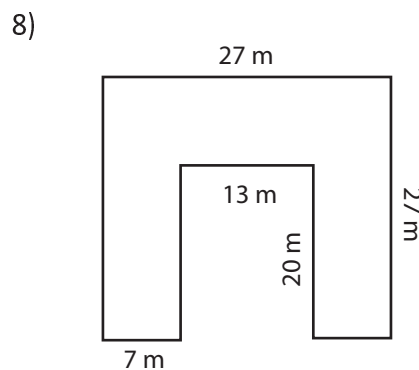
Area: _____
Perimeter: _____



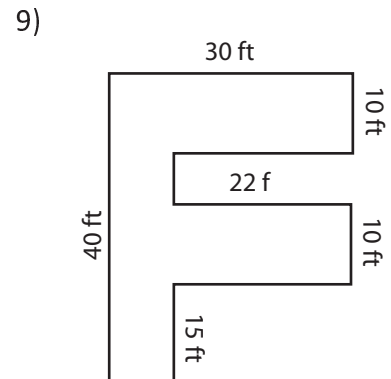
Area: _____
Perimeter: _____



Area: _____
Perimeter: _____



Area: _____
Perimeter: _____



Area: _____
Perimeter: _____